

## PRODUCT IN STOCK

SERIAL	PRODUCT	MODEL	QUANTITY
1	ANCHOR HANDLING TOWING WINCH	AHT2D-220-280-H	2
2	ANCHOR HANDLING TOWING WINCH	NCW-AHT2D-300-400-H	3
3	ANCHOR WINDLASS MOORING WINCH	AMW-GDDG-10-30-46K2-H	3
4	ANCHOR WINDLASS MOORING WINCH	AMW-GDD-13-30-73U3-H	4
5	MOORING WINCH	MW-DD-13-30-H	4
6	ANCHOR WINDLASS	AW-GG-44K3-H	1
7	TELESCOPE MARINE CRANE	TOC-145-0515-00	2
8	TELESCOPE MARINE CRANE	TOC-063-059069/022122	6
9	KNUCKLE BOOM CRANE	KOC115-0512	4
10	REEL WINCH	SR-8-12	2
11	REEL WINCH	NCW-SR-6-12-H	3
12	CAPSTAN	NCW-1003A-VC-10-H	2
13	CAPSTAN	NCW-1004A-VC-8-H	1
14	TUGGER WINCH	NCW-1001-TUW-5-H	1
15	TUGGER WINCH	NCW-1007-TUW-10-H	2
16	FAIRLEAD	FL-38-110	4
17	VERTICAL SHEAVE	NCW-VS-50	16

---

# AHTW-2D-220-280-H

## ANCHOR HANDLING TOWING WINCH

QUANTITY IN STOCK: 2

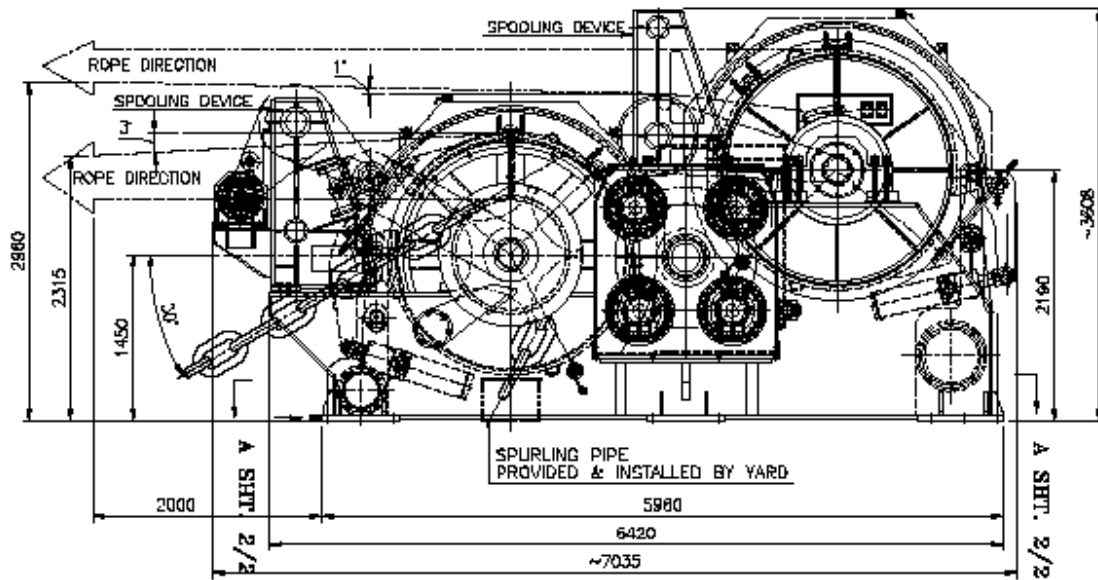
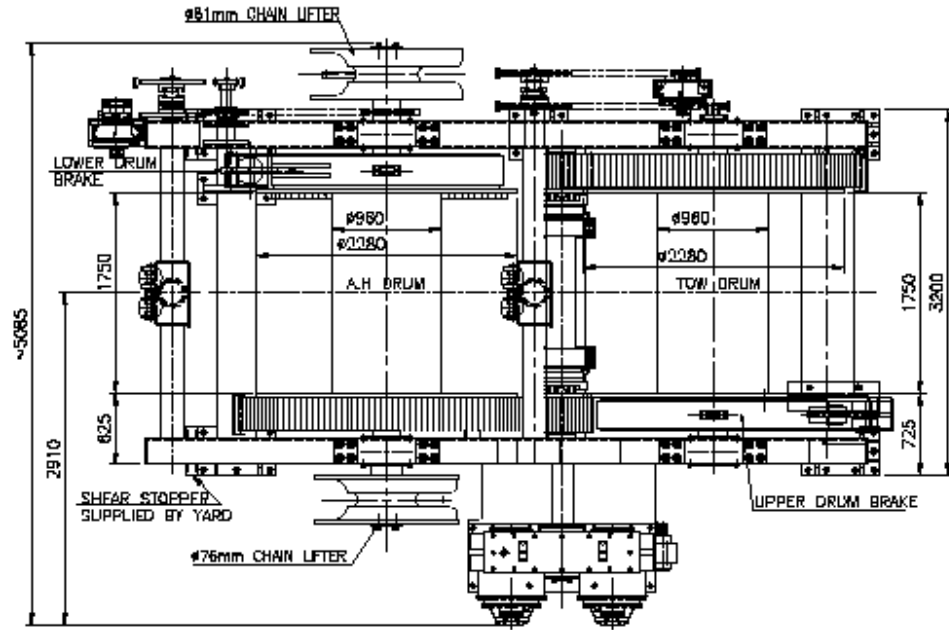
### SPECIFICATION

#### EITHER UPPER DRUM OR LOWER DRUM

Drum Capacity	: 1400m x $\Phi$ 58mm S.W.R (10 layers)
Duty Pull	: 220T x 0~8m/min
(1st layer)	: 110T x 0~16m/min
	: 75T x 0~23m/min
	: 35T x 0~48m/min
Dynamic Braking	: 220T x 0~12m/min
(1st layer)	: 110T x 0~20m/min
	: 75T x 0~30m/min
	: 35T x 0~58m/min
Cable Lifter	: 115T x 0~16m/min
	: 40T x 0~45m/min
Drum Brake Holding	: 280T (static @ 1st layer)
Drum Brake Assembly	: Spring loaded hydraulic release band brake
Drum Clutch	: Jaw type, hydraulic operated
Control	: Local control near to winch
	: Remote control in wheelhouse

# AHTW-2D-220-280-H

## ANCHOR HANDLING TOWING WINCH



---

# AHTW-2D-300-400-H

## ANCHOR HANDLING TOWING WINCH

**QUANTITY IN STOCK: 3**

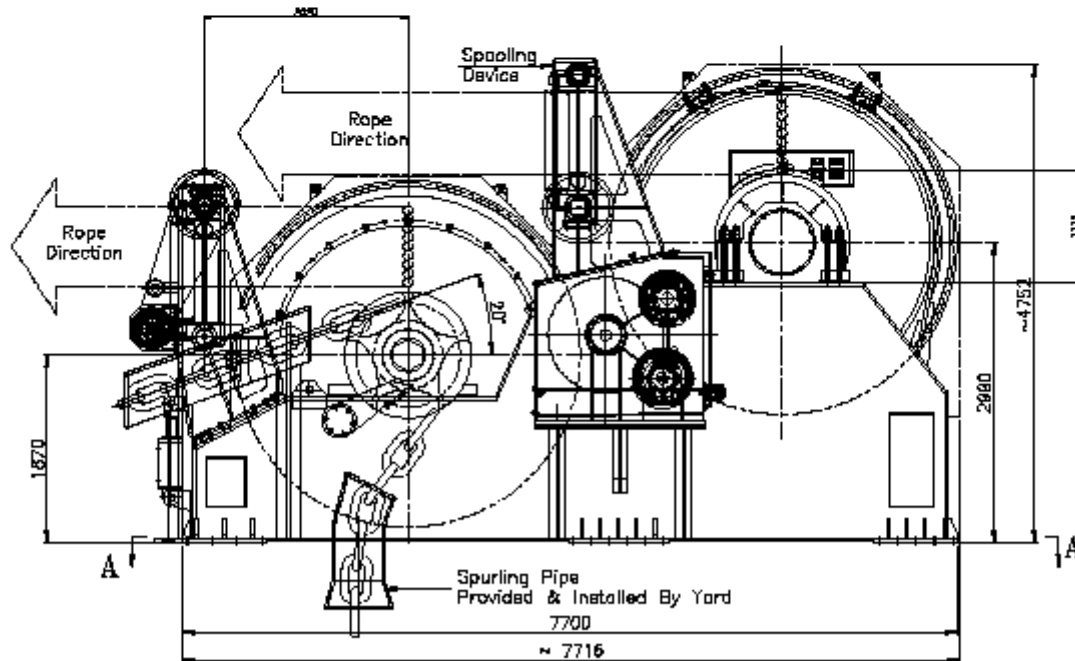
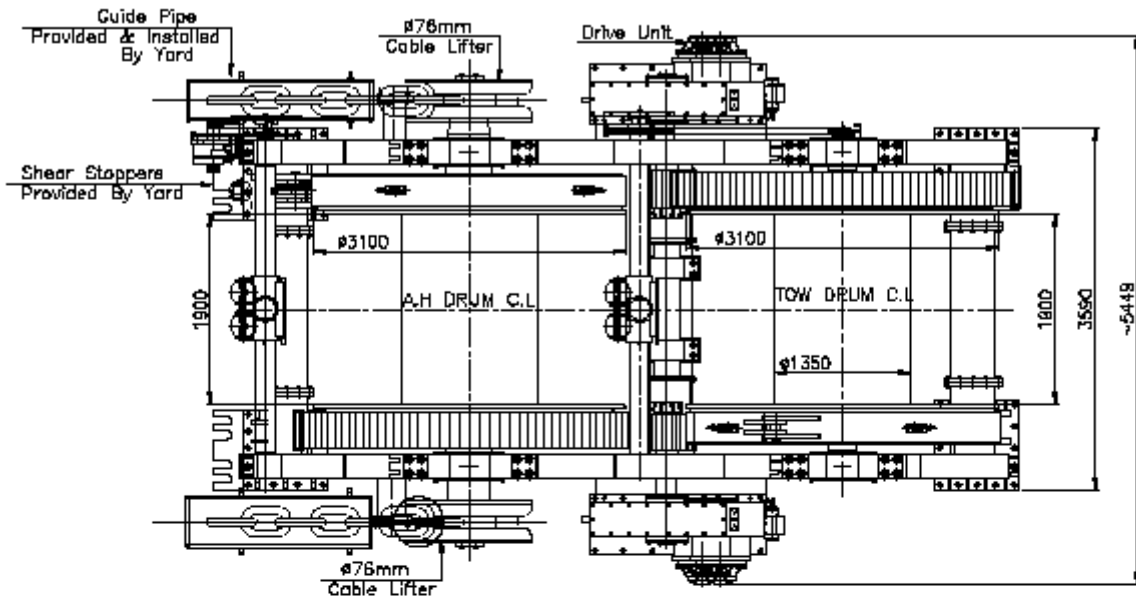
### **SPECIFICATION**

#### **EITHER UPPER DRUM OR LOWER DRUM**

Drum Capacity	: 1200m x $\Phi$ 90mm S.W.R (9 layers)
Duty Pull	: 300T x 0~6m/min
(1st layer)	: 200T x 0~8m/min
	: 130T x 0~12m/min
	: 60T x 0~23.5m/min
Dynamic Braking	: 60~300T x 0~35m/min (1st layer)
Brake Holding	: 400T (static @ 1st layer)
Brake Assembly	: Hydraulic operated c/w manual override, hand pump for "dead ship"
Clutch Assembly	: Hydraulic operated jaw clutch
Control	: Local control manifold onto winch
	: Remote control panel in wheelhouse

# AHTW-2D-300-400-H

## ANCHOR HANDLING TOWING WINCH



---

# SR-8-12-H

## STORAGE REEL WINCH

**QUANTITY IN STOCK: 2**

### **SPECIFICATION**

Drum Capacity : 1500m x  $\Phi$ 58mm S.W.R @ 10 layers

Rated Pull : 8T x 0~32m/min (1st layer)

Clutch : Manually operated

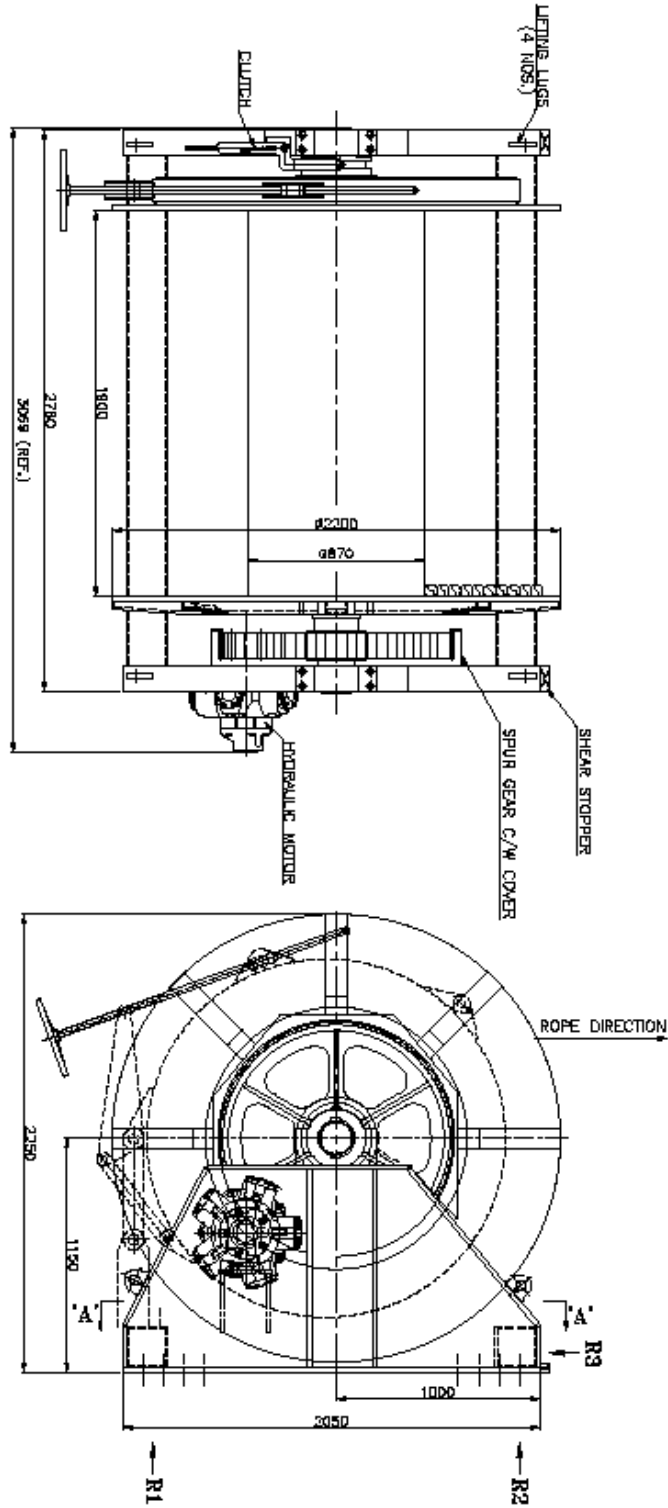
Brake Assembly : Manually operated band brake

Brake Holding : 12T (static @ 1st layer)

Control : Local control stand near to winch

# SR-8-12-H

## STORAGE REEL WINCH



---

# SR-6-12-H

## STORAGE REEL WINCH

**QUANTITY IN STOCK: 3**

### **SPECIFICATION**

Drum Capacity : 1200m x 88.9mm S.W.R @ 8 layers

Rated Pull : 6T x 0~15m/min (1st layer)

Clutch : Manually operated

Brake Assembly : Manually operated band brake

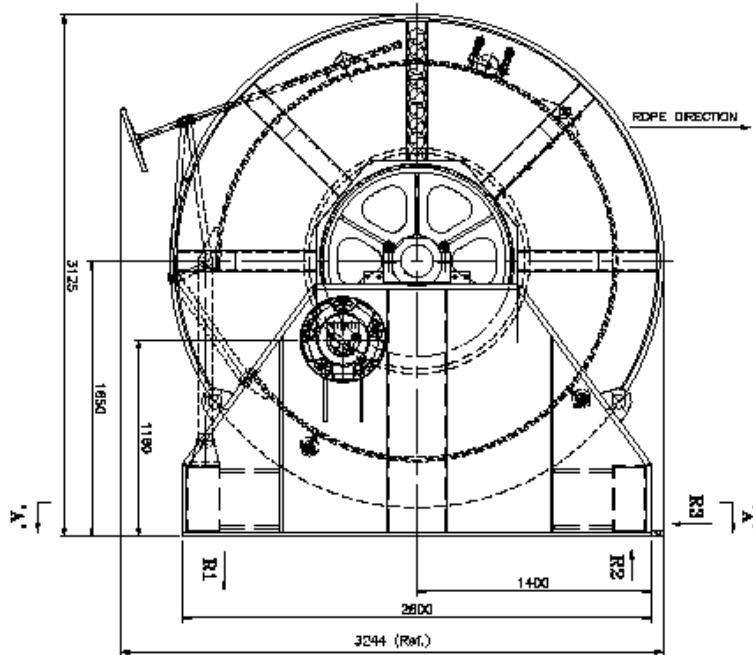
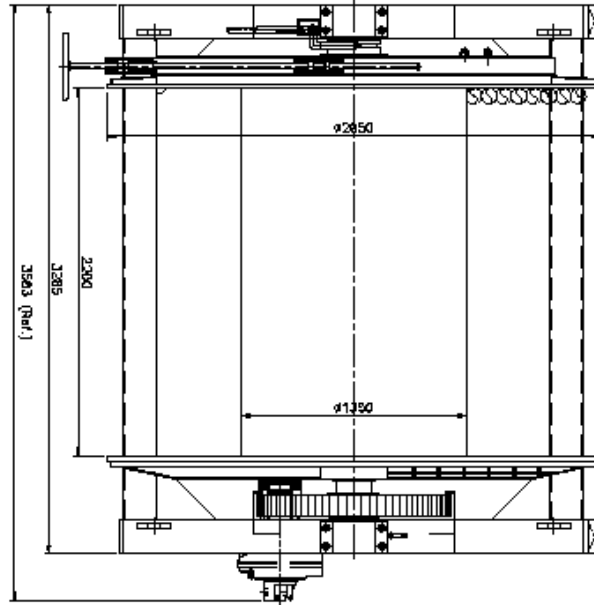
Brake Holding : 12T (static, 1st layer)

Control : Local control installed to winch



# SR-6-12-H

## STORAGE REEL WINCH



# 1003A-VC-10-H

## CAPSTAN

QUANTITY IN STOCK: 2

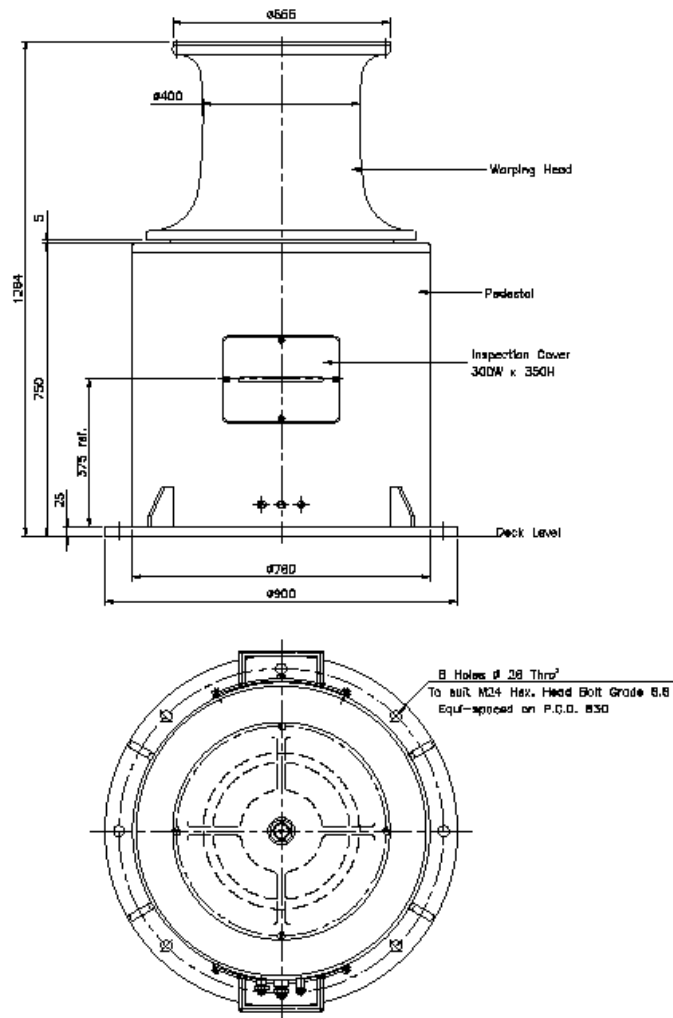
### SPECIFICATION

Rated Pull : 10T

Speed : 25m/min

Drive : Hydraulic motor via planetary gearbox

Control : Local control station, supplied loose



Plan View

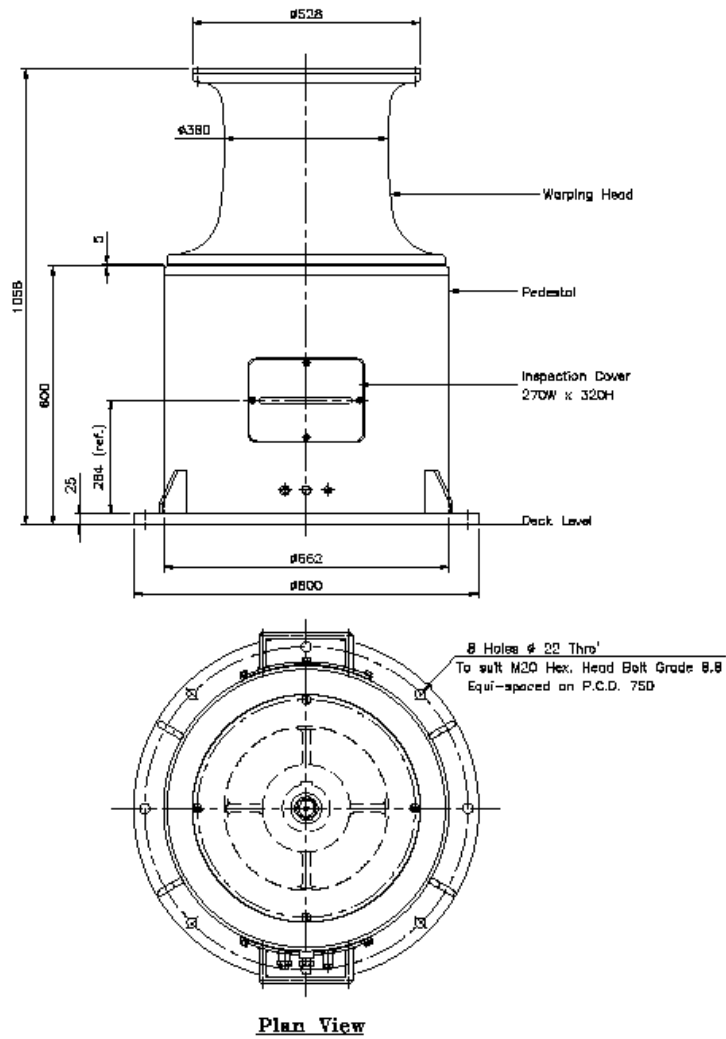
# 1000A-VC-8-H

## CAPSTAN

QUANTITY IN STOCK: 1

### SPECIFICATION

- Rated Pull : 8T  
Speed : 18m/min  
Drive : Hydraulic motor via planetary gearbox  
Control : Local control station, supplied loose



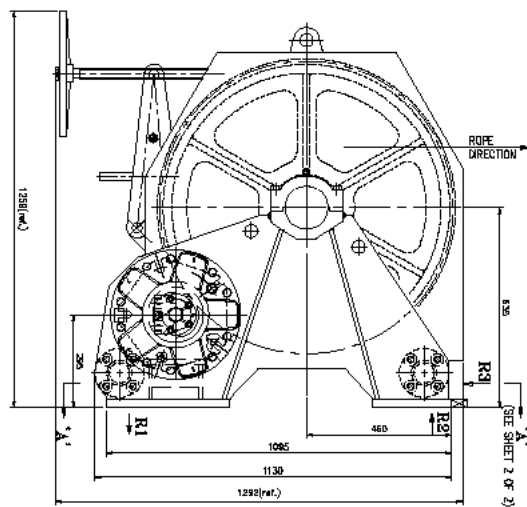
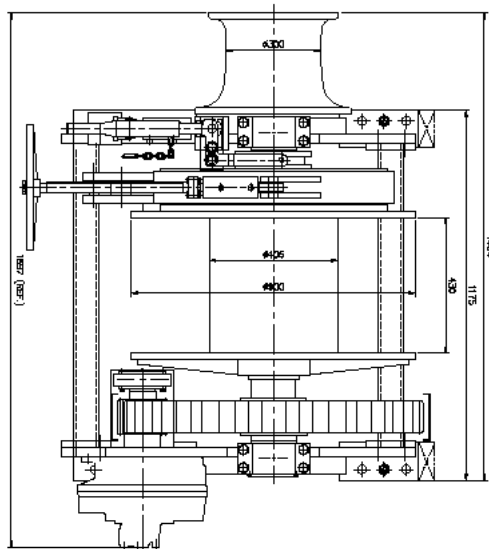
# 1007-TUW-10-H

## TUGGER WINCH

QUANTITY IN STOCK: 2

### SPECIFICATION

Drum Capacity	: 200m x $\Phi$ 25mm (S.W.R, 8 layers)
Rated Pull	: 10T x 32m/min (1st layer)
Brake Holding	: 20T (static, 1st layer)
Brake Assembly	: Hydraulic operated
Clutch Assembly	: Hydraulic operated
Control	: Local control near to winch



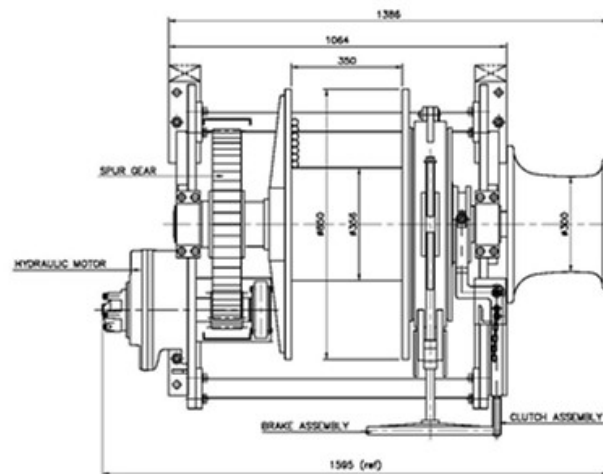
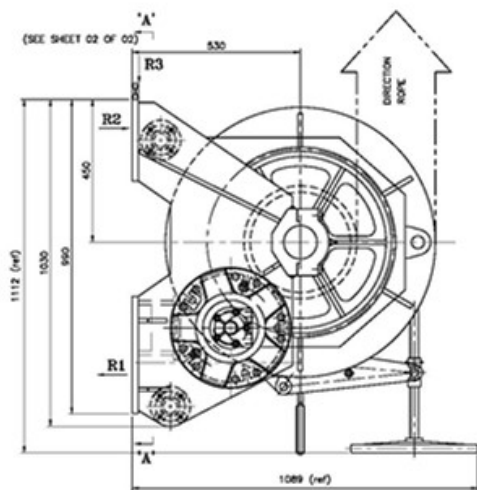
## 1001-TUW-5-H-00L

### TUGGER WINCH

QUANTITY IN STOCK: 1

#### SPECIFICATION

Drum Capacity	: 150m x $\Phi$ 22mm (S.W.R, 7 layers)
Rated Pull	: 5T x 15m/min (1st layer)
Brake Holding	: 8T (static, 1st layer)
Brake Assembly	: MANUAL operated
Clutch Assembly	: MANUAL operated
Control	: Local control stand near to winch



---

## AMW-GDDG-10-30-46K2-H

### ANCHOR WINDLASS MOORING WINCH

**QUANTITY IN STOCK: 3 (2 chain stoppers each)**

#### **SPECIFICATION**

Gypsy Size	: 46mm dia K2 chain
Gypsy Rated Pull	: 9T x 0~13.5m/min
Gypsy Overload	: 13.6T
Gypsy Brake	: 53.8T (static)
Brake Assembly	: Hydraulic operated
Clutch Assembly	: Hydraulic operated
Warping Speed	: 0~30m/min
Drum Capacity	: 2 x 120m x $\Phi$ 40mm (S.W.R, each drum 4 layers)
Rated Pull	: 10T x 0~14m/min (1st layer only single drum working)
Brake Holding	: 30T (static, 1st layer)
Brake Assembly	: Hydraulic operated
Clutch Assembly	: Hydraulic operated
Control	: Local & remote control



---

## AMW-GDD-13-30-73U3-H

### ANCHOR WINDLASS MOORING WINCH

**QUANTITY IN STOCK: 4**

#### **SPECIFICATION**

Gypsy Size	: 73mm dia U3 chain
Gypsy Rated Pull	: 26T x 0~10m/min
Gypsy Overload	: 39T
Gypsy Brake	: 185T (static, 1st layer)
Brake Assembly	: Manually operated
Clutch Assembly	: Manually operated
Drum Capacity	: 200m x $\Phi$ 75mm (P.P rope, each drum 6 layers)
Rated Pull	: 13T x 0~15m/min (1st layer only single drum working)
Brake Holding	: 30T (static, 1st layer)
Brake Assembly	: Manually operated
Clutch Assembly	: Manually operated
Control	: Local control stand adjacent to winch





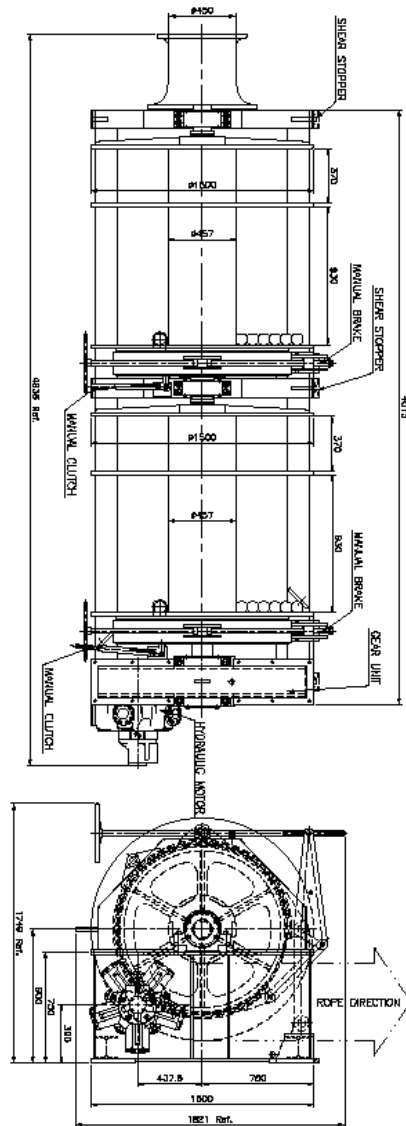
# MW-DD-13-30-H

## MOORING WINCH

QUANTITY IN STOCK: 4

### SPECIFICATION

Drum Capacity	: 200m x $\Phi$ 75mm (P.P rope, each drum 6 layers)
Rated Pull	: 13T x 0~15m/min (1st layer only single drum working)
Brake Holding	: 30T (static, 1st layer)
Brake Assembly	: Manually operated
Clutch Assembly	: Manually operated
Control	: Local control stand adjacent to winch



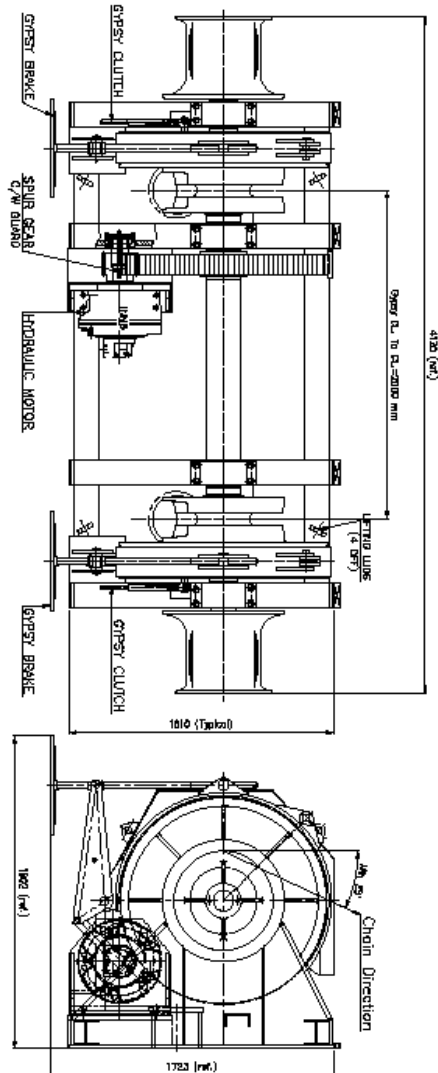
# AW-GG-44K3-H

## ANCHOR WINDLASS

QUANTITY IN STOCK: 1

### SPECIFICATION

Chain Size	: $\Phi 44\text{mm}$ K3 chain
Rated Pull	: 9.4T x 10m/min
Overload Pull	: 14.1T
Brake Holding	: 71T (static)
Brake Assembly	: Manually operated band brake
Clutch Assembly	: Manually operated jaw clutch
Control	: Local control stand adjacent to windlass

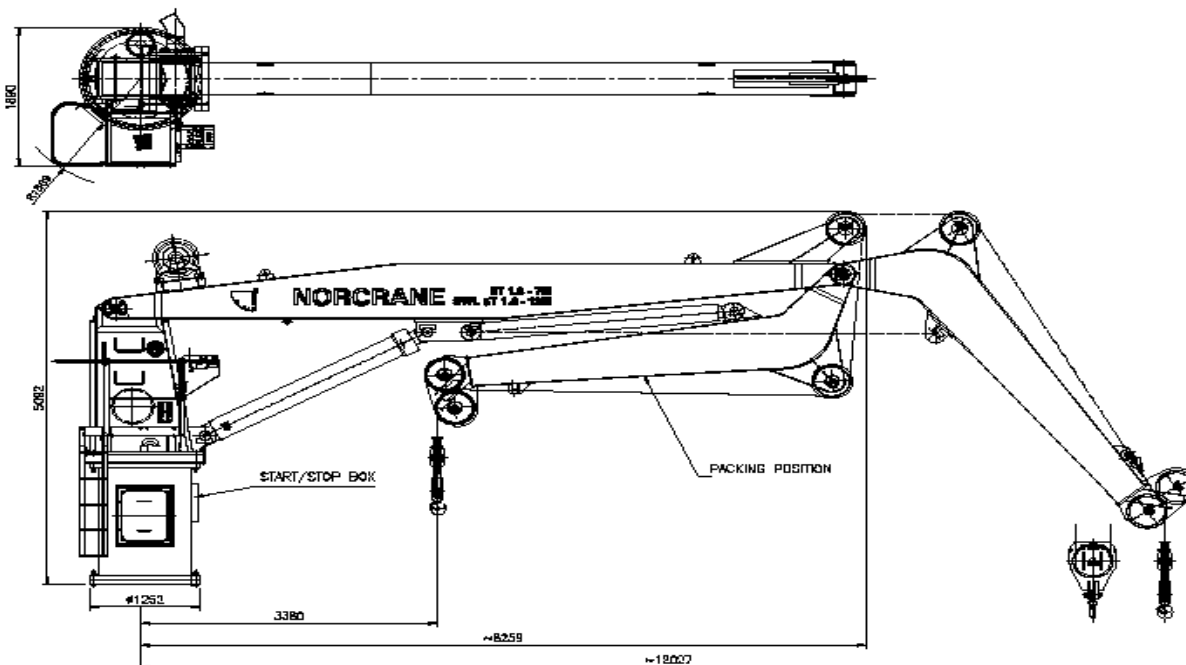


# KOC115-0512 KNUCKLE BOOM CRANE

QUANTITY IN STOCK: 3

## SPECIFICATION

S.W.L	: 8T @ 1.8-7M
	: 5T @ 1.8-12M
Dynamic factor	: 1.33
Max. Outreach	: 12 M
Min. Outreach	: 1.8 M
Hook Travel	: 30 M
Hoisting Speed	: 0~20 m/min
Luffing Time (average)	: 52 Sec.
Slewing Sector	: 360° Continuously limit switch to be install
Number Of Falls	: 2
Slewing Speed	: 1 rpm
Power Pack	: Build in
Max. Tilting Moment	: 115TM
Max. Thrust Force	: 15.8T
Max. List/Trim	: 5/2°

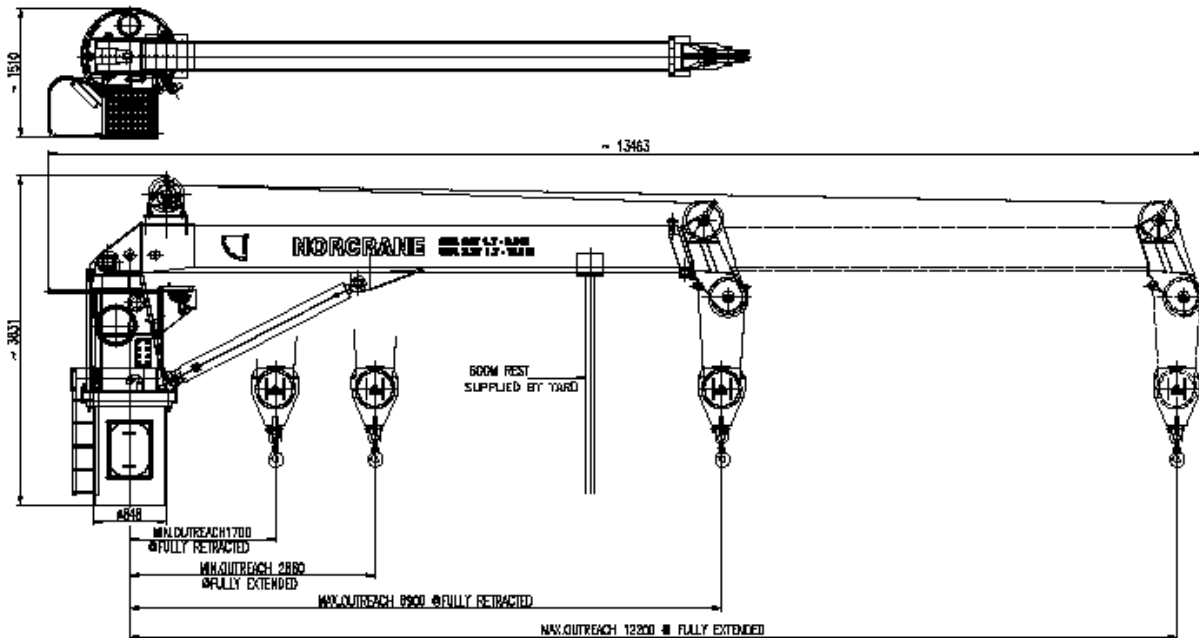


# TOC-063-059069/022122 TELESCOPE MARINE CRANE

QUANTITY IN STOCK: 6

## SPECIFICATION

S.W.L	: 5.9T @ 1.7-6.9M
	: 2.2T @ 1.7-12.2M
Max. Outreach	: 12.2 M
Min. Outreach	: 1.7 M
Hook Travel	: 30 M
Hoisting Speed	: 0~20 m/min
Luffing Time (average)	: 30 Sec.
Slewing Sector	: 360°
Number Of Falls	: 2
Slewing Speed	: 1 rpm
Power Pack	: Build in
Max. Tilting Moment	: 63TM
Max. Thrust Force	: 12T
Max. List/Trim	: 5/2°

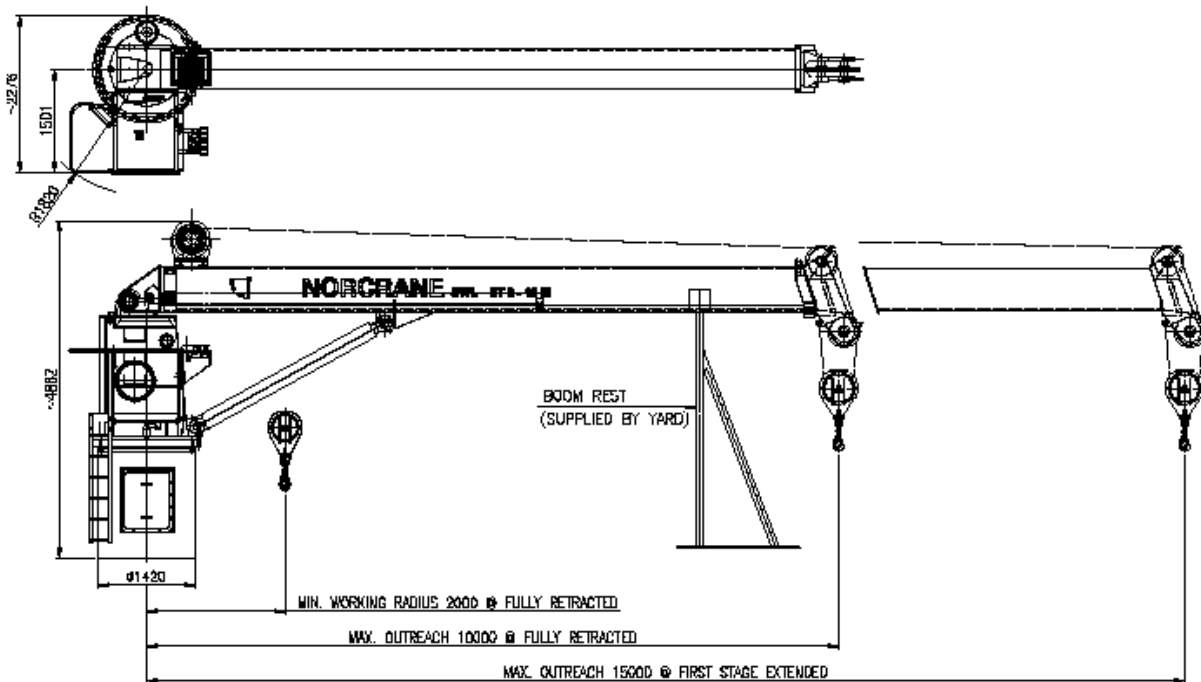


# TOC-145-0515 TELESCOPE MARINE CRANE

QUANTITY IN STOCK: 2

## SPECIFICATION

S.W.L	: 10T @ 2-10M
	: 5T @ 2-15M
Max. Outreach	: 15 M
Min. Outreach	: 2 M
Hook Travel	: 20 M
Hoisting Speed	: 0~20 m/min
Luffing Time (average)	: 40 Sec.
Slewing Sector	: 360°
Number Of Falls	: 2
Slewing Speed	: 1 rpm
Power Pack	: Build in
Max. Tilting Moment	: 132TM
Max. Thrust Force	: 13T
Max. List/Trim	: 5/2°



# FL-38-110 FAIRLEAD

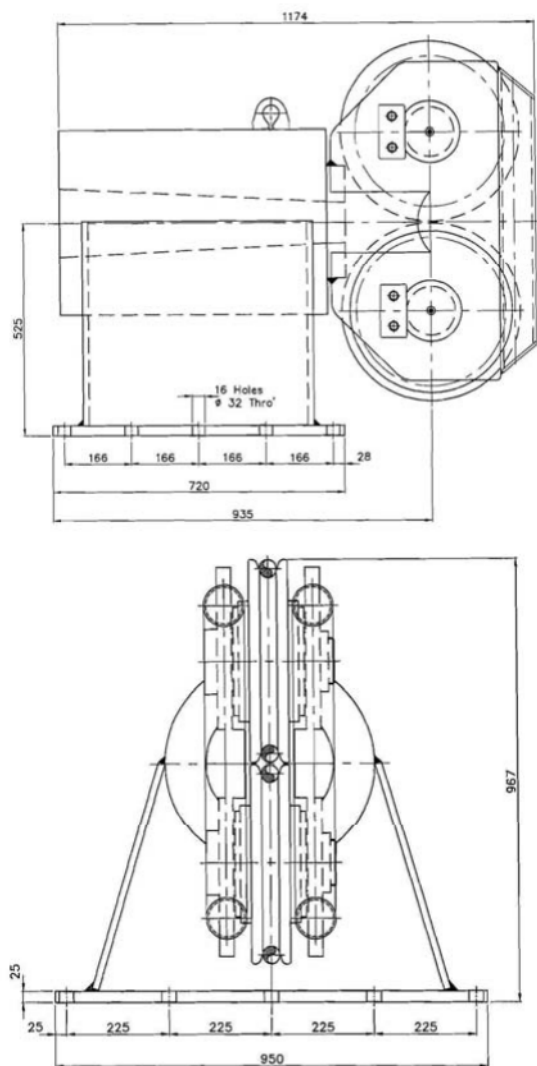
QUANTITY IN STOCK: 4

## SPECIFICATION

Built For The Breaking Strength of 110 Tonnes at 90°Warp & ±45°Head Swing

To suit For  $\varnothing 34\text{mm}$ -- $\varnothing 38\text{mm}$  Wire

Rope. All Bearing Are Roller Bearing.

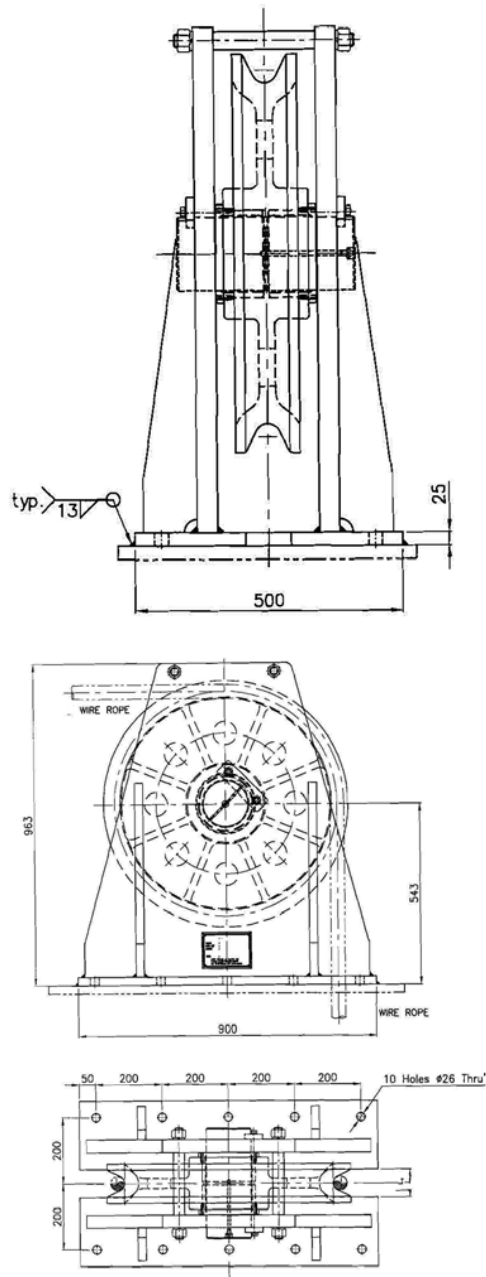


# NCW-VS-50 VERTICAL SHEAVE

QUANTITY IN STOCK: 16

## SPECIFICATION

VERTICAL SHEAVE FOR  $\varnothing 34\text{MM}$ — $\varnothing 50\text{MM}$  S.W.R





# GYPSY

SERIAL	Model		Quantity	REMARK
<b>1</b>	GY-100		<b>1</b>	
<b>2</b>	GY-100		<b>1</b>	

